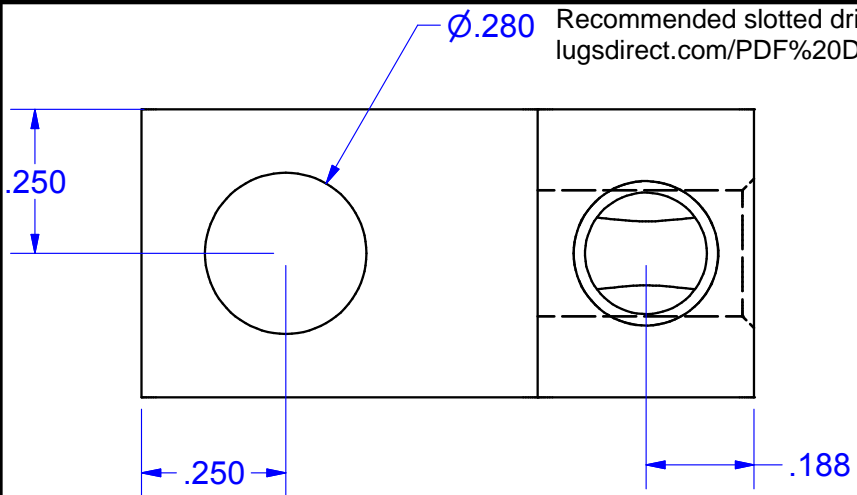
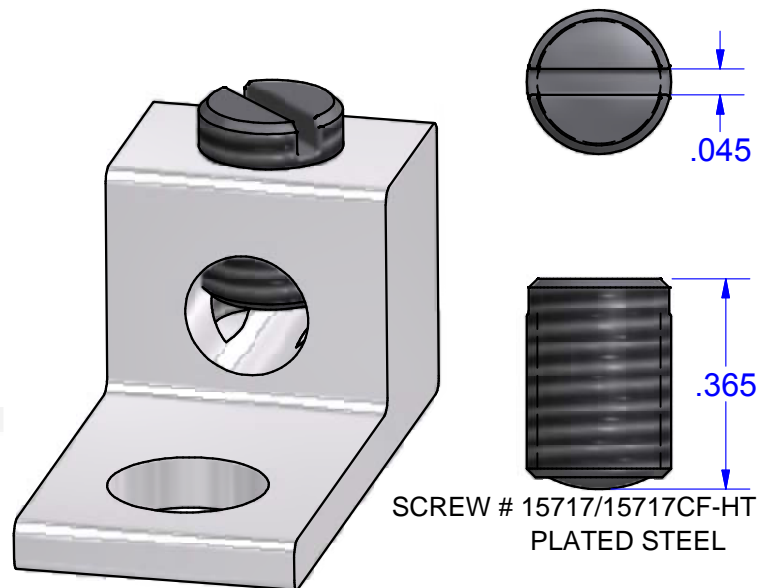
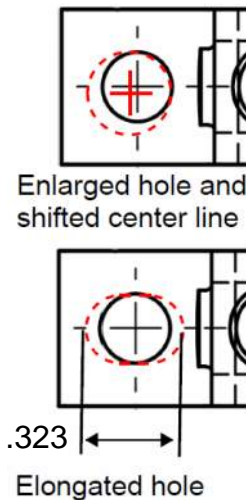


Recommended slotted driver bit for user torque of 45 in-lbs required on larger wires, is Chapman Mfg CM-96 or CM-98
lugsdirect.com/PDF%20Documents/1-4-28-slotted-setscrew-bit-selection-tips.pdf



Examples of Mounting Hole Modifications



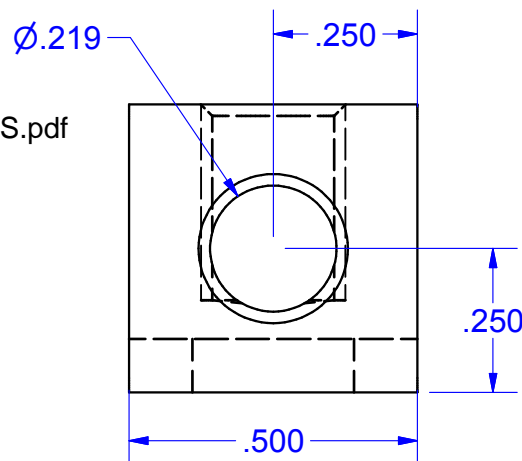
Cat. No. S6 Style No. ALL

■ Drill, Enlarge, or Modify Mounting Holes

- 1) Increase hole(s) dia. to 5/16 bolt (.323 drill dia.)
- 2) Move location of mounting hole(s)
- 3) If buying blank lug, put custom hole(s) in.

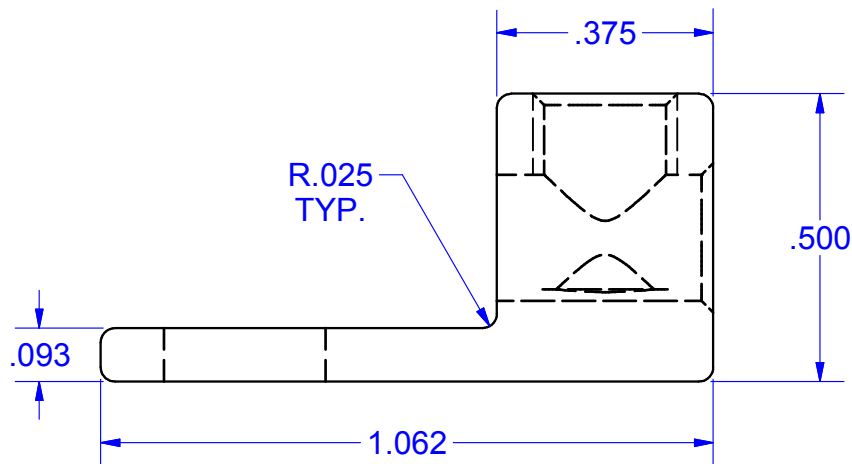
IHI UL/CSA Installation Guide to Drill or Enlarge Mounting Holes:

<https://lugsdirect.com/PDF%20Documents/IHI-MTG-HOLE-FIELD-MODS-UL&CSA-CERTIFICATIONS.pdf>



PART MARKED

S6
 IHI
 UL Logo
 CSA Logo
 CU9AL
 6-14



NOT FOR USE WHERE FAILURE CREATES A HAZARD TO HUMAN HEALTH OR SAFETY. ALL PRODUCTS ARE SUBJECT TO THIS FULL DISCLAIMER: <http://www.ihconnectors.com/disclaimer.html>

FOR FURTHER INFORMATION ON THE PROPER USE OF THIS PRODUCT IN SPECIFIC APPLICATIONS SEE <http://www.ihconnectors.com/GuideToFlexFlexibleFineStrandedWireCableMechanicalLugsFAQ.html>
<http://www.ihconnectors.com/Technical-Data-Installation.htm>

THIS DRAWING AND DESIGN ARE THE PROPERTY OF INTERNATIONAL HYDRAULICS, INC., CLEVELAND, OHIO, AND MAY NOT BE DUPLICATED, USED FOR THE BASIS OF DESIGN OR MANUFACTURE WITHOUT THE WRITTEN PERMISSION OF INTERNATIONAL HYDRAULICS, INC., CLEVELAND, OHIO.		INTERNATIONAL HYDRAULICS, INC.			
GENERAL TOLERANCES ±.015 (±0.038)		TITLE: S6W (SALES) CONNECTOR			
MATERIAL: 6061-T6 EXT1010	SIZE:	DRAWN BY: TDS	DWG NO.: S6W (SALES)	REV: 0	
FINISH: TIN PLATE EMS	DATE: 4/20/09	IHI CONNECTORS			